



**TITLE: ENGINEERING CONTROL DRAWING.**

**PART IDENTIFIER:** CT3737TALNF

**DESCRIPTION:** HIGH POWER CHIP TERMINATION, ALUMINUM NITRIDE, TUNED, ROHS COMPLIANT.

**ASSEMBLY DWG:** 2900194

**1.0 SPECIFICATIONS:**

1.1 ELECTRICAL:

- 1.1.1 IMPEDANCE: 50Ω NOMINAL.
- 1.1.2 FREQUENCY: DC – 3.0 GHZ.
- 1.1.3 VSWR: 1.15:1 MAX.
- 1.1.4 INPUT POWER:
  - 1.1.4.1 HEAT SINK 100°C: 180 WATTS (DERATE POWER LINEARLY TO 0 WATTS @ 150°C).

1.2 MECHANICAL:

- 1.2.1 OUTLINE DWG: SEE SHEET 2.
- 1.2.2 WORKMANSHIP: PER MIL-PRF-55342.

1.3 ENVIRONMENTAL:

- 1.3.1 TEMPERATURE RANGE:
  - 1.3.1.1 NON-OPERATING: -55°C TO +150°C.
  - 1.3.1.2 OPERATING: -55°C TO +150°C.

**2.0 UNIT MARKING: NONE.**

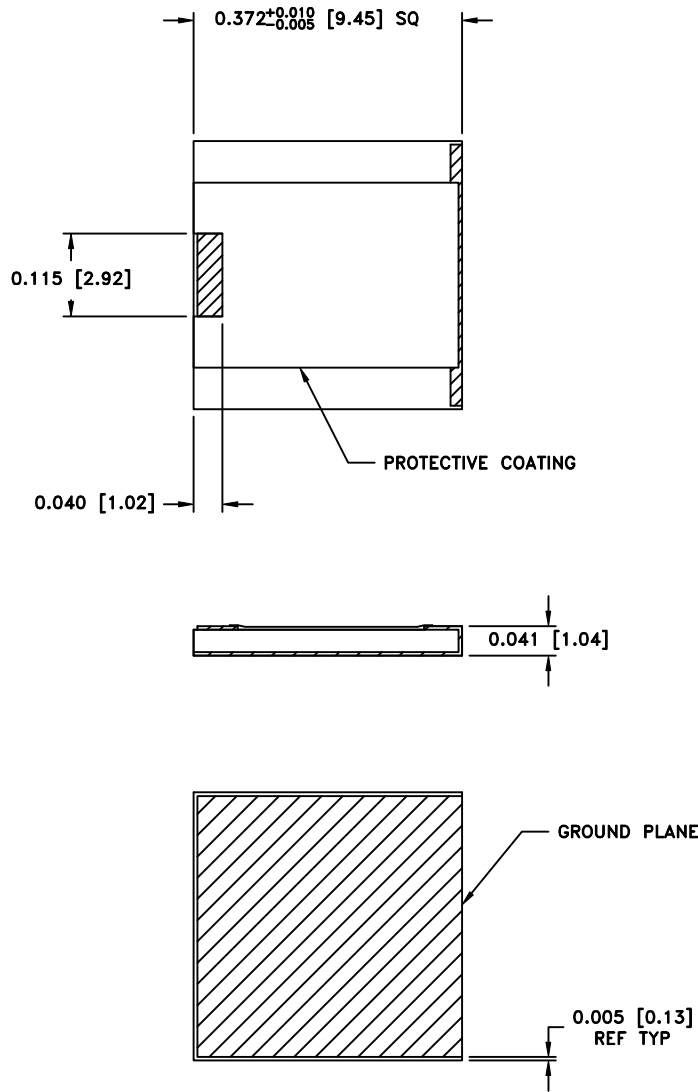
**3.0 QUALITY ASSURANCE:**

- 3.1 SAMPLE INSPECT PER ANSI/ASQC Z1.4 GENERAL INSPECTION, LEVEL II, AQL = 1.0.
  - 3.1.1 VISUAL AND MECHANICAL PER 824W154.
- 3.2 100% DC RESISTANCE CHECK (GO/NO GO): 50Ω ± 5%.
- 3.3 DATA REQUIREMENTS:
  - 3.3.1 NO TEST DATA REQUIRED.
  - 3.3.2 DATA RETENTION – 24 MONTHS.

**4.0 PACKAGING: STANDARD PACKING PER 755W002.**

<b>EMC TECHNOLOGY</b> 8851 SW OLD KANSAS AVE. STUART, FL 34997	<b>CAGE CODE # 24602</b>		<b>DWG #</b>	1010995000
	<b>CHANGE NOTICE</b>	EN 12-1211	<b>REV LVL</b>	B
			<b>SHEET</b>	1 OF 2

PART ID REF  
CT3737TALNF

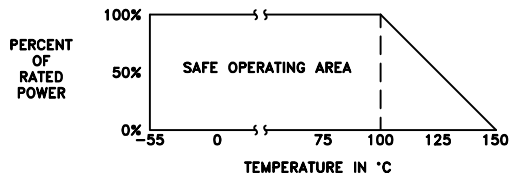


**MECHANICAL SPECIFICATIONS:**

SUBSTRATE:  
MATERIAL - ALUMINUM NITRIDE, MIL-I-10.  
TERMINAL & GROUND PLANE:  
MATERIAL - THICK FILM, LEAD FREE PLATING  
ROHS COMPLIANT.  
RESIST:  
MATERIAL - THIN FILM.

METRIC EQUIVALENTS GIVEN IN [mm]  
FOR REFERENCE INFORMATION ONLY

**POWER RATING AND DERATING**



8851 SW OLD KANSAS AVE  
STUART, FL 34997  
PHONE NO. (772)286-9300  
FAX NO. (772)283-5286

UNLESS OTHERWISE SPECIFIED DIMENSIONS ARE IN INCHES  
**TOLERANCES**  
FRACT ---  
ANG ---  
XX ---  
XXX ±0.005  
XXXX ---

THESE DRAWINGS AND SPECIFICATIONS ARE THE PROPERTY OF EMC TECHNOLOGY INC AND SHALL NOT BE DUPLICATED OR USED AS BASIS FOR THE MANUFACTURE OR SALE OF PARTS OR DEVICES WITHOUT PERMISSION.

CAGE CODE 24602	SCALE N/A	DRAWN BY JG 8/8/08	CHECKED BY	APPROVED BY
REV B	CHANGE NOTICE EN 12-1211	DRAWING NO 1010995000	SHEET 2 OF 2	